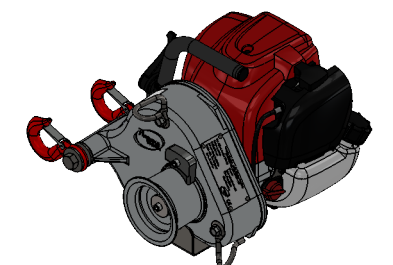
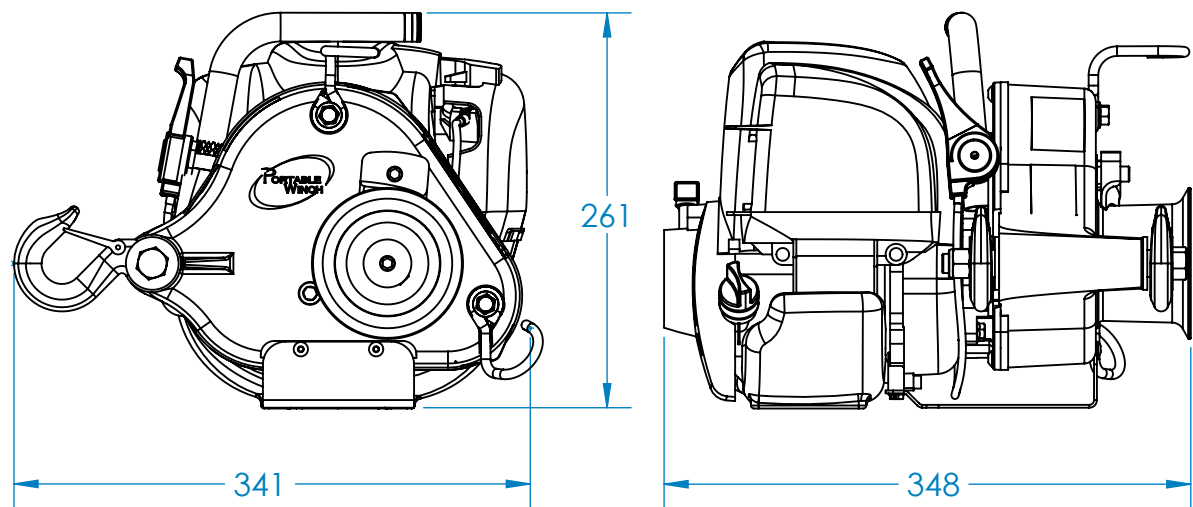


PART NUMBER	REV. No.	DESCRIPTION	QTY	PART NUMBER	REV. No.	DESCRIPTION	QTY
10-0093	R3	THRUST WASHER 3/4 X 1-1/4 X 0.170	1	32-0056	...	HEX FLANGE SERRATED BOLT M6-1.0 X 20mm - ZN	4
10-0098	R2	BUSHING FOR SAFETY HOOK	2	33-0005	...	NUT 1/2-13 NYLON - ZN	1
10-0102	...	DRUM RETAINING WASHER (1/4 X 1-1/4 OD) - ZN	1	33-0011	...	SQUARE NUT 10-24 - ZN	1
10-0127	R5	GEARBOX HOUSING PCW3000	1	35-0004	...	FLAT WASHER 1/2 - ZN	4
10-0128	R3	GEARBOX COVER PCW3000	1	39-0008	...	OIL PLUG 3/8 - ZN	1
10-0129	R2	CAPSTAN DRUM 76mm	1	39-0020	...	RETAINING RING INT. DHO 28mm	1
10-0130	R4	GUARD PLATE PCW3000	1	39-0026	...	RETAINING RING EXT. 25mm	1
10-0132	R5	ENGINE ALUMINUM COUPLING PCW3000	1	39-0028	...	TAPPING SCREW - TYPE B-#10x1/2	2
10-0133	R0	ENGINE COUPLING PLATE	1	43-0012	...	CLUTCH BEARING RBC121616 - 3/4 X 1 X 1	1
10-0134	R2	THROTTLE CABLE ASSEMBLY PCW3000	1	43-0015	...	STEEL BUSHING IR1616 - 1-1/4 X 1 X 1	1
10-0135	R0	ROPE EXIT HOOK PCW3000	1	43-0019	...	RADIAL SHAFT SEAL 25 X 37 X 7 - HMSA7	1
10-0136	R4	ROPE ENTRY HOOK PCW3000	1	43-0024	...	RADIAL SHAFT SEAL 9 X 22 X 7 - CRWA1	1
10-0137	R3	WINCH HANDLE PCW3000	1	R3 43-0057	...	KEY FOR CAPSTAN DRUMS 76mm (8mm X 30mm)	1
10-0336	R1	GENERIC INFORMATION & SERIAL PLATE	1	44-0002	...	THROTTLE LEVER PCW3000	1
10-0427	R0	ALUMINIUM ROPE GUIDE FOR CAPSTAN DRUM 76mm	1	44-0025	R0	LABEL - ROPE INSTALLATION PCW3000	1
31-0010	...	HCS 1/2-13 X 6 - GR5 - ZN	1	44-0185	R1	LABEL FOR AUDITIVE PROTECTION	1
31-0038	...	MACHINE SCREW PAN HEAD SQUARE DRIVE 10-24 X 3/4-ZN	1	45-0001	...	HONDA ENGINE GX-35 NT-S3	1
32-0005	...	BHCS M6-1 x 20mm - SS	7	49-0032	...	TYPE "U" DRIVE SCREWS 1/4" X 0.114"	4
32-0007	...	SHCS M8-1.25 X 16mm - BLACK	2	R3 49-0037	...	SNAP-IN ROUND PLUG 3/4"	1
32-0008	...	HEX FLANGE SERRATED BOLT M8-1.25 X 16mm - ZN	2	70-0014	R1	HIGH SPEED SHAFT ASSY. FOR PCW3000 - 74 TEETH	1
32-0009	...	SHCS M5-0.80 X 10mm	1	70-0015	R1	INTERMEDIATE SPEED SHAFT ASSY. FOR PCW3000 - 70 TEETH	1
R3 32-0051	...	SHCS M6-1 X 16mm - ZN	2	70-0016	R1	LOW SPEED SHAFT ASSY. FOR PCW3000 - 56 TEETH	1
32-0055	...	BHCS M5-0.8 X 8mm - SS	2	70-0030	R1	INPUT SHAFT ASSEMBLY PCW3000 - 10 TEETH	1
				70-0031	R4	ON/OFF SWITCH ASSY. FOR PCW3000	1
				PCA-1281	...	SAFETY HOOK WLL: 3/4 TON	2



R3	B8	PART 32-0004 REMOVED PART 32-0051 ADDED PART 43-0013 REMOVED PART 43-0057 ADDED PART 49-0037 ADDED	F.M.	I.D.	P.R.	20-09-23
C4	B4		F.M.	C.B.	P.R.	18-05-03
R2	C8	PART 10-0427 WAS 10-0131 PART 44-0023 REMOVED PART 44-0185 ADDED	F.M.	F.M.	P.R.	18-05-03
C4	C4	ITEM 32 ADDED ITEM 33 ADDED ITEM 41 CHANGED ITEM 27 CHANGED				
B4	D4					
D4						
REV	ZONE	DESCRIPTIONS	DR	CK	APP	DATE
REVISION						

DRAWN	F. MERCURE	TITLE	PCW3000 GAS POWERED PULLING WINCH. MAX. PULLING FORCE: 700kg			
CHECKED	F. MERCURE	SYSTEM	SYSTEM			
APPROVED	P. ROY	MATERIAL	...	FINISH	...	WEIGHT
APP. DATE	2012-12-11	GENERAL TOLERANCES IF NOT SPECIFIED	0 ± 1mm 0.0 ± 0.5mm 0.00 ± 0.25mm 0.000 ± 0.025mm	SCALE : SHOWN	REFERENCE No.	9.8kg
		SURFACE ROUGHNESS 3.2µm HOLES LOCALIZATION ±0.04mm	3ed ANGLE PROJECTION	DIMENSIONS : METRIC	FILE	E.C. No.
				DO NOT MEASURE DIRECTLY ON DRAFT	PCW3000-R3	130560
				FORMAT	DRAWING No.	REV. SHEET
				B	PCW3000	R3 1/2

© 2012 Portable Winch Co. - All Rights Reserved - Tous droits réservés

